



Designed and Engineered
IN THE USA

FEATURES

- 5.5 t (12,000 lbs) Capacity, Clearfloor, Telescoping Arms can accommodate a wide range of common cars, trucks, vans as well as SUVs within the same service bay
- Dual direct-drive hydraulic cylinders, designed and made on ANSI standard, high quality NOK seals
- Electric / Hydraulic power system
- 3/8" aircraft quality cable is used for synchronization
- Self-lubricating UHMW Polyethylene sliders and bronze bush
- Single-point safety release
- Clearfloor design, provide unobstructed floor space
- Overhead safety shut-off device
- Adjustable three height setting accommodate varying service ceiling heights (The special low setting height 150" need to choose the optional short cables)
- Automatic arms restraints
- CE approved and certified



4.0 HP Power Unit

Rover Lifts heavy-duty line of two post lifts model R2P-12KAS and are specially designed for vehicle from car to truck, with heavy-duty steel construction



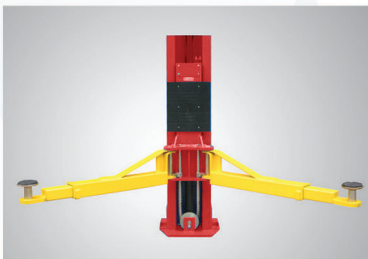
Single-point Safety Release

The release lever (next to the power unit) is pulled down to release the locks on both columns from one column. It is more efficient, more reliable, more safety and save time than the dual safety release

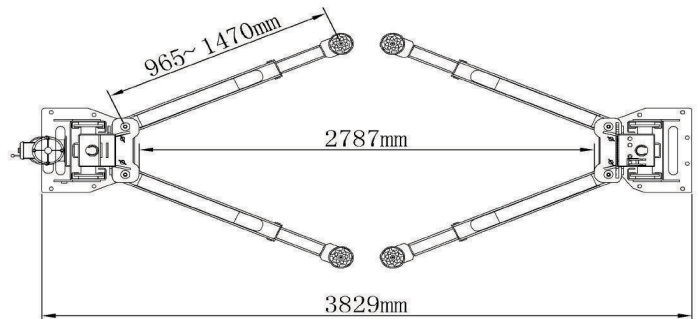
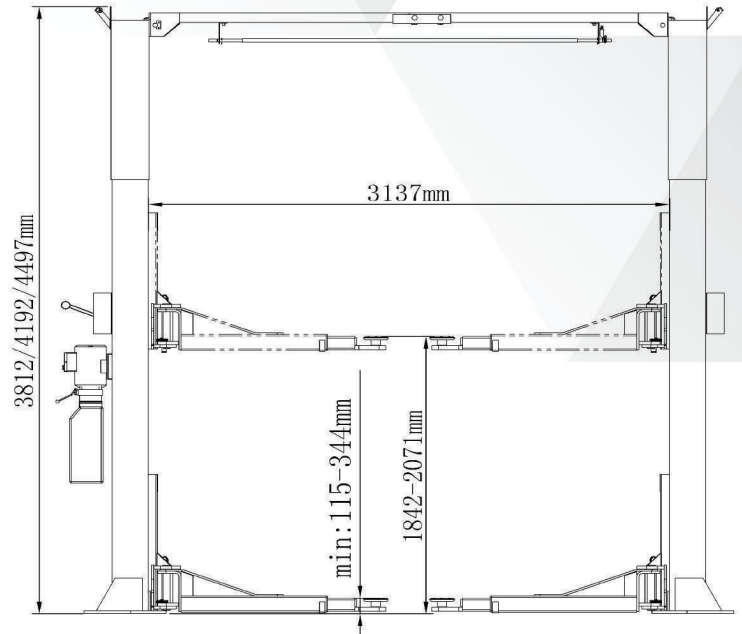
Exclusive Feature



The stackable rubber pads package with 1.5", 2.5", 5" extension adaptors



Hydraulic direct-driven cylinders, Automatic arms restraints, Protect rubber door guards, Self-lubricated slinders... make Rover Lifts Heavy-duty line of two post lifts with many advanced features and work reliable.



SPECIFICATIONS

Model	Style	Lifting capacity	Lifting time	A	B	C	D	E	F	Gross Weight	Motor
				Lifting height	Overall height	Overall Width	Drive-thru clearance	Width between column	Min. Pad height		
R2P-12KAS	Clearfloor Direct-driven	5.5 t (12,000 lbs)	55 Sec	1842-2071mm	3812/4192 /4497mm	3829mm	2787mm	3137mm	115mm	966 kg	4.0HP