



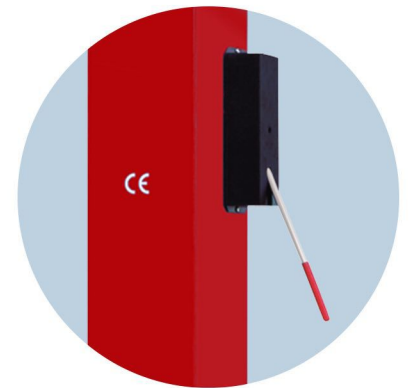
FEATURES

Rover Lifts is proud to introduce a revolutionary designed manual single-point safety release system for their new 9,000 lbs. base plate lift. The super single-point manual release allows the operator to unlock both column locks from one column.

A manual single-point lock release system provides a mechanically proven system that will perform flawlessly for many years.

Model: R2P-10KAS

Base Plate Chain/Over Half Cylinder
4.0 t (8,818 lbs) Lifting Capacity



Single-Point
Safety Release



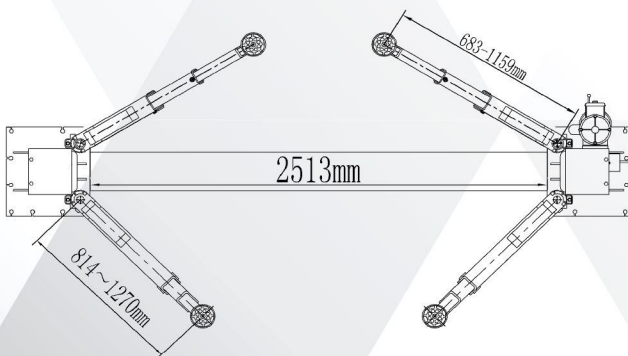
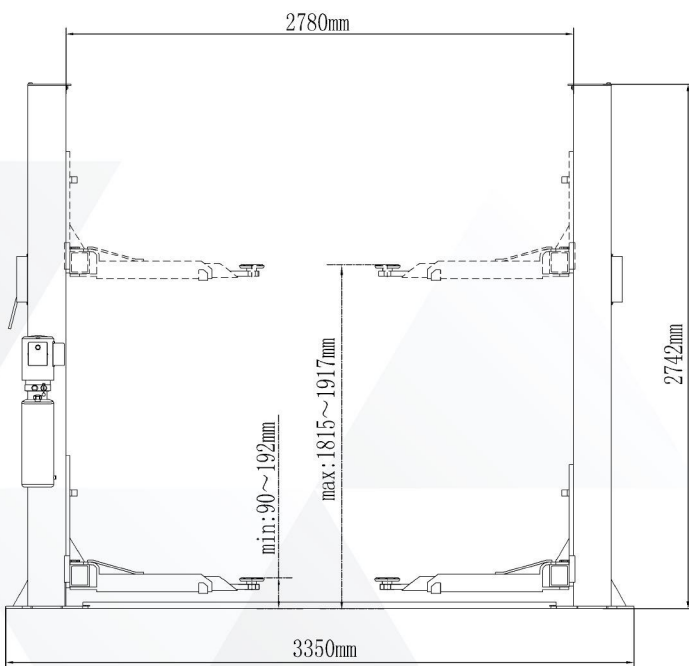
Designed and Engineered
IN THE USA

DETAILS

- 4.0 t (9,000 Lb) Capacity
- Dual hydraulic chain-drive cylinders manufactured on ANSI standard
- 5/16" aircraft quality cables is used for synchronization
- Self-lubricating UHMW Polyethylene sliders and bronze bushings
- Single-point safety release allows technician to easily release both column locks from one column
- Automatic arm restraints
- Stackable rubber pad with 1.5" and 2.5" extension adaptors

SPECIFICATIONS

Model	Style	Lifting Capacity	Lifting Time	A	B	C	D	Minimum Height	Gross Weight	Motor
				Lifting Height	Overall Height	Overall Width	Width Between Columns			
R2P-OT-9KAS	Floor Plate	4.0 t (9000 lbs)	45 Seconds	1815 -1917 mm (71.45" - 75.47")	2742 mm (107.95")	3350 mm (135")	2780 mm (109.44")	90 mm (3.54")	620 Kg (1366.87 lbs)	3HP/220V 50/60 HZ



Exclusive Feature!

Two locks, one release, only available at Rover Lifts.



Super symmetric arms allow you load vehicles in an asymmetric or symmetric configuration automatic arms restraints, protect rubber door guards, self-lubricated sliders... make Rover Lifts Advance line of two-posts lifts work reliable.



Exclusive Feature!

The stackable rubber pad assembly with 1.5", 2.5" extensions adapters



The optional base plate extension kits No. 20801 with extension frame and 14pc of anchor bolts.