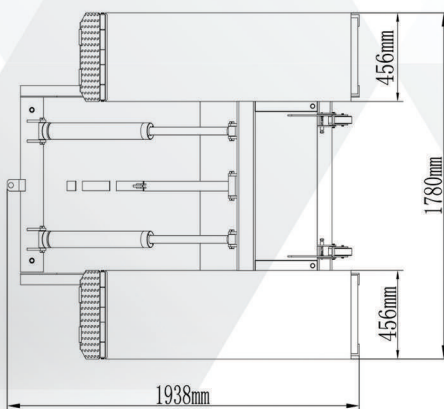
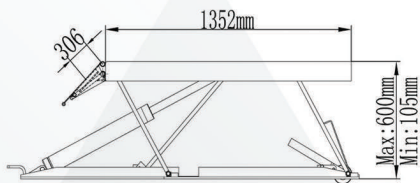




Designed and Engineered
IN THE USA

MODEL RLR-10K

| Capacity | Lifting Time | | | | | | Gross Weight | Motor |
|-----------------------|--------------|---------------|----------------|---------------|---------------|--------------|----------------------|------------------------|
| | | Raised Height | Minimum Height | Runway Length | Overall Width | Runway Width | | |
| 4.5 t (10,000 lbs) | 30 Sec | | | | | | 450 kg (1000 lbs) | 3HP / 220V 50/60 HZ |
| | mm | 600 | 105 | 1352 | 1780 | 456 | 1938 | |
| | inches | 23 5/8 | 4 1/8 | 53 1/4 | 70 | 18 | 76 1/4 | |



FEATURES

- Automatic safety lock: 3 position safety lock
- Automatic safety lock release
- Portable unit is easy to move with the power unit stand
- High speed: From 0-600mm (23 5/8") in just 30 seconds
- Dual cylinders assist with smooth even lifting
- Movable drive -thru ramps and extended platforms accommodate varying wheelbase vehicles
- Standard rubber pads included

