

The Mid-Rise Lift is an excellent choice for low ceiling or adding a bay for seasonal increases in business. Provides good working height for tires, brakes and body repairs.

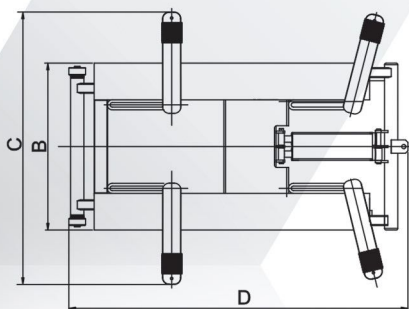
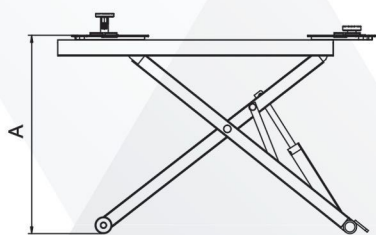


Designed and Engineered  
**IN THE USA**



## MODEL RMR-6K

Capacity	Lifting Time	Lifting Height	Minimum Height	Platform Width	Swing Width	Overall Length	Gross Weight	Motor
<b>2.8 t</b> (6,000 lbs)	<b>32 Sec</b>						<b>360 kg</b> (793 lbs)	<b>1.5HP</b>
	mm	<b>1090</b>	<b>125</b>	<b>1000</b>	<b>1604</b>	<b>1885</b>		
	inch	<b>43"</b>	<b>5"</b>	<b>39 3/8"</b>	<b>63 1/8"</b>	<b>74 1/4"</b>		



This 20-piece adapter kits come standard with the RMR-6K



## FEATURES

- Automatic multiple safety locks
- Automatic safety lock release
- Portable design: Easy to move with the power unit stand
- Two hydraulic cylinders
- High speed: from 0-1090 mm (43") in just 32 seconds
- Standard adapter kits included